

KramDesigns Décor Hardware offers high quality artificial decorative hardware. It's the easiest DIY product available for the public and manufacturers on the market. All stud embellishments come with a mounting plug and watertight washer. KramDesigns Decor Hardware can be used on most surfaces i.e. plaster, timber, masonite, aluminium, steel etc.

All our hardware items are for decorative purposes only and are not designed for functional use.

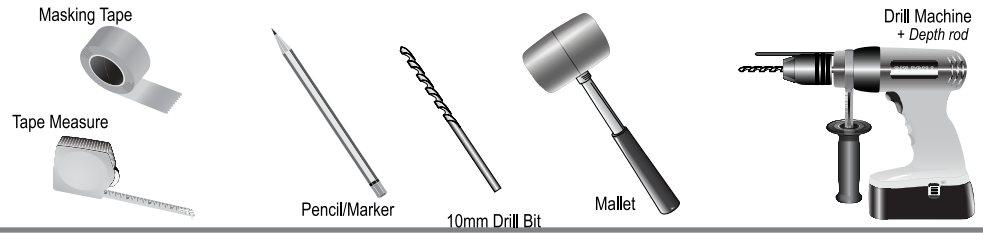
EQUIPMENT NEEDED

IMPORTANT

Read all instructions carefully and completely to ensure proper installation.

⚠ WARNING!

Parts have sharp points & edges. Use extreme caution when handling & installing. Wear safety glasses at all times.



IMPORTANT |

For any products 0,4 - 15mm in thickness, no drill depth rod is required. Drill through.
For any products thicker than 15mm a drill depth rod or masking tape as per instructions, is recommended.

The Kram Fastening System™ plug can be fitted to any solid surface with a minimum of a 0,6mm gauge.

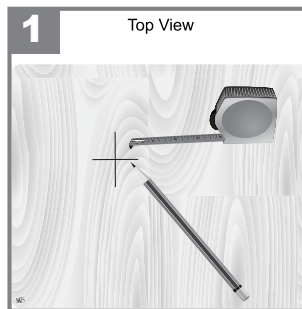
Examples: wood, steel, chromodeck, aluminium, concrete, perspex, plastic etc.

**UNIVERSAL
KRAM FASTENING SYSTEM**
For installation into all Solid Surfaces excluding MDF or Supawood, follow numbered steps below using the Universal Kram Fastening System™

1 2 3 4 4.1

FAST FIT WOOD PLUG
For installation into all Timber and MDF or Supawood, follow numbered steps below using the Fast Fit Wood Plug.

1 2 5 6 7

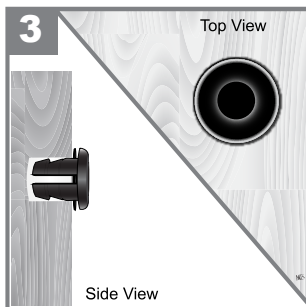


Mark out the area with a tape measure and a pencil where the embellishments are to be placed. Don't make marking to big, use small cross marks.

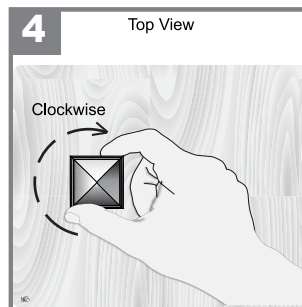


Drill your holes with a 10mm drill bit making sure not to drill more than 15mm deep by using a drill depth rod or the masking tape wrapped around the drill bit back from the tip of the drill bit.

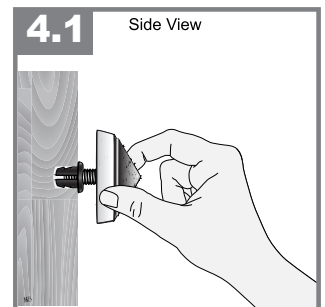
UNIVERSAL KRAM FASTENING SYSTEM™ INSTALLATION



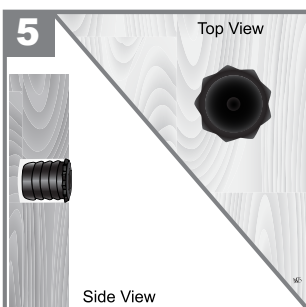
Insert plug into rubber washer and then proceed to insert plug into drilled hole until flush with timber.



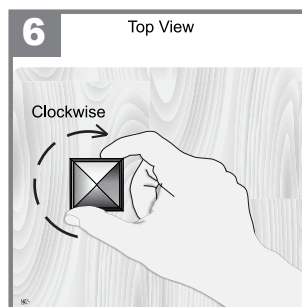
Proceed to turn the embellishment clockwise into the plug until it is tightened.



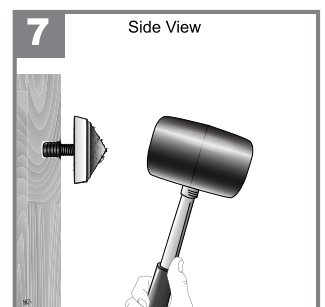
FAST FIT WOOD PLUG INSTALLATION



Insert plug into drilled hole until flush with timber.



Proceed to turn the embellishment clockwise approximately 3 times. Do not turn all the way.



Once the embellishment is stable in the plug, proceed to knock in with a mallet.